



# IceBank<sup>®</sup>

THERMAL ENERGY STORAGE

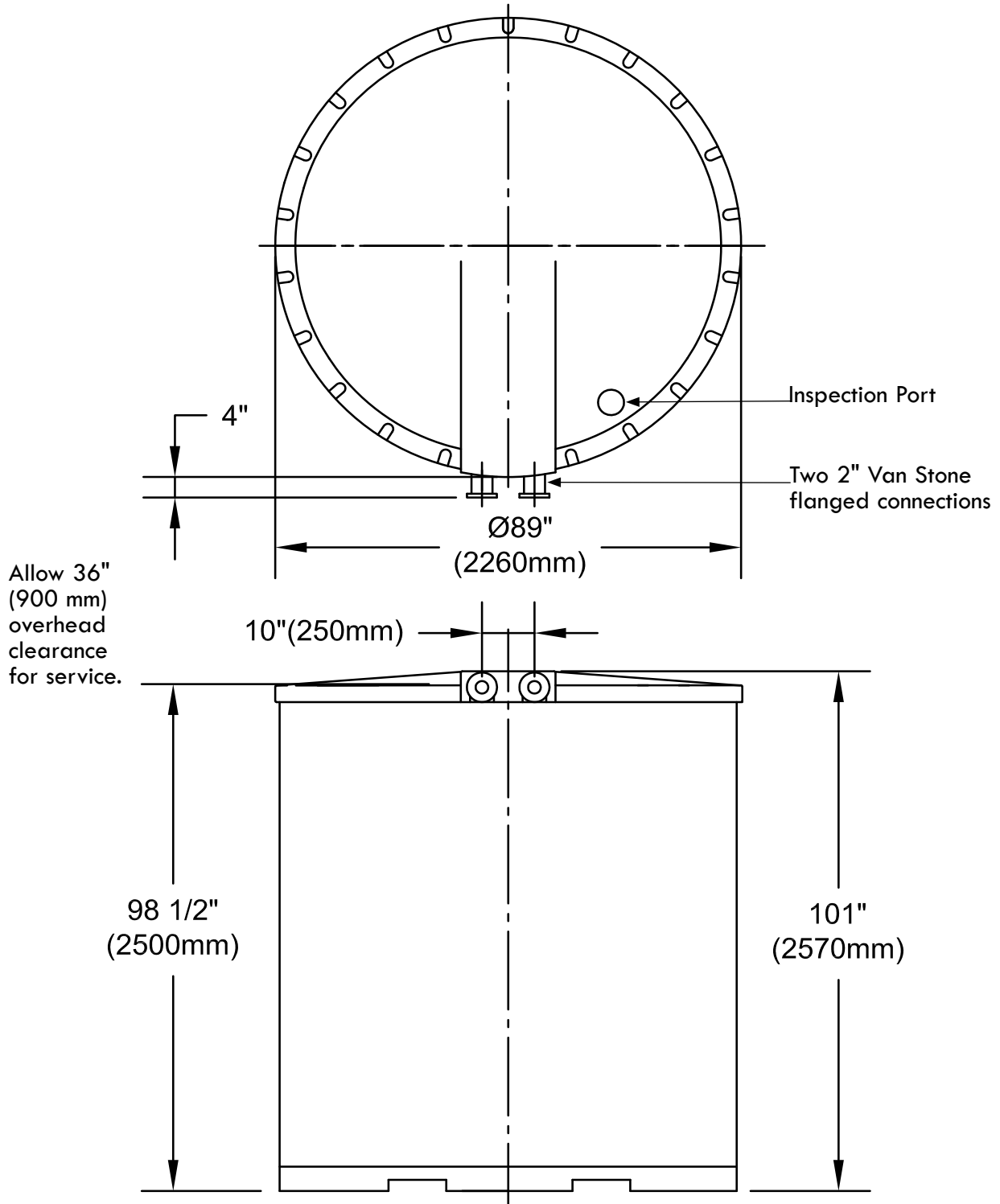
**DRAWING**

Model 1190A

June 2009

CS-5

CALMAC Manufacturing Corp. 3-00 Banta Place Fair Lawn, NJ 07410 Tel (201) 797-1511 www.Calmac.com



**NOTE:** Tolerance for all dimensions is  $\pm 1/2''$  (12.5 mm)